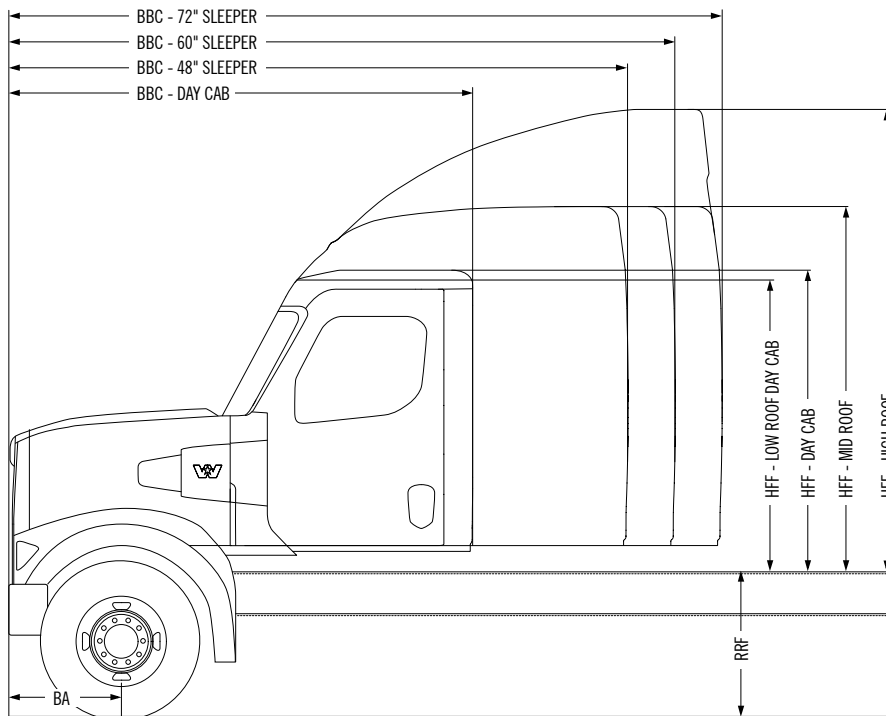




# WESTERN STAR 49X



### CONFIGURATIONS

STANDARD	6 X 4 SINGLE STEER
OPTIONAL	8 X 6 SINGLE STEER TRI-DRIVE

### GCM

UP TO 140 TONNE GCM\*

\*HIGHER GCM RATINGS AVAILABLE SUBJECT TO APPLICATION AND ENGINEERING APPROVAL.

DESCRIPTION	MM
<b>BA - BUMPER TO AXLE</b>	
Bumper to axle	765
<b>BBC - BUMPER TO BACK OF CAB</b>	
Day cab	3,085
48" sleeper	4,085
60" sleeper	4,385
72" sleeper	4,685
<b>RRF - REAR FRAME HEIGHT - UNLADEN</b>	
Airliner	1,056
TuffTrac	1,084
Primax	1,072
Neway	1,072
<b>HFF - HEIGHT FROM FRAME</b>	
Day cab standard roof	1,942
Day cab low trench style roof	1,903
60" & 72" mid style roof	2,360
72" Stratosphere high roof	2,985
Mid roof style sleeper air kit	625

### > CAB

STD	Steel reinforced Cab w/ aluminium roof 3,085 mm/121" BBC
OPT	SLEEPERS 48" mid style roof 60" mid style roof 72" mid style roof 72" Stratosphere high roof Additional roof fairing and side fairings - aerodynamic devices available

### > AIR INTAKE

STD	Dual air intake integrated bonnet system with engine mounted high capacity air cleaner and passive pre-cleaners
OPT	Dual air intake through hood mounted snorkels with RAM scoops, engine mounted high capacity air cleaner and dual passive pre-cleaners

### > ENGINE

STD	Detroit DD16 500 hp, 1,850 lb-ft
OPT	Detroit DD16 530-600 hp, 1,850-2,050 lb-ft

### > EXHAUST

STD	Horizontal ATS with right hand horizontal tailpipe
OPT	Horizontal ATS with dual B-pillar day cab mounted vertical tailpipes Horizontal ATS with dual frame mounted vertical tailpipes

### > DETROIT WARRANTY COVERAGE

STD	4 years / 400,000 L / 12,000 hrs & 805,000 kms
OPT	4 years / 500,000 L / 15,000 hrs & 805,000 kms 5 years / 500,000 L / 15,000 hrs & 1,046,500 kms 5 years / 600,000 L / 15,000 hrs & 1,046,500 kms

### > TRANSMISSION - AUTOMATED MANUAL

STD	Detroit DT12 OVX 12 speed overdrive 1,850 lb-ft
OPT	Detroit DT12 OVX 12 speed overdrive 2,050 lb-ft

### > TRANSMISSION - MANUAL

OPT	Eaton RTLO-20918B 2,050 lb-ft Eaton RTLO-22918B 2,250 lb-ft Eaton AT-1202 A3 auxiliary transmission
-----	---

### > FRONT AXLE

STD	Detroit 7.3 t DA-F 3.5" Drop single front axle
OPT	Meritor 9 t FL-941 3.5" Drop single front axle

### > FRONT SUSPENSION

STD	Taper leaf springs 7.3 t capacity
OPT	Taper leaf springs 8.2 t capacity Taper leaf springs 9.0 t capacity

### > REAR AXLE

STD	Meritor RT46-160GP 20.1 t GAWR tandem
OPT	Meritor RT50-160GP 22.7 t GAWR tandem Meritor RT52-185G 23.6 t GAWR tandem Meritor P612 38.1 t GAWR tandem Dana D46-172P 20.1 t GAWR tandem Dana D52-190P 23.6 t GAWR tandem

> **REAR SUSPENSION**

STD	Airliner 20.9 t GAWR air bag tandem
OPT	TufTrac Gen 2 20.9 t - 23.5 t GAWR mechanical tandem TufTrac Gen 2 Comfort Ride 20.9 t - 23.5 t GAWR mechanical tandem Hendrickson Primax EX 20.9 t GAWR tandem Neway ADZ-252 23.5 t GAWR tandem Neway AD-260 27.2 t GAWR tandem

> **BRAKES**

STD	Meritor drum
OPT	Bendix disc

> **UPFIT EFFICIENCY SYSTEMS**

STD	Advanced multiplexed electrical system for easy truck equipment interface: • Hard wired dash mounted auxiliary switches
OPT	Manufacturer body builder interface, programming and power access Auxiliary in-cab or sleeper mounted e-vault available, which houses: • QuickFit programmable controllers • QuickFit interface connectors • TEM-specific power distribution module • High-current power access

> **SAFETY SYSTEMS**

STD	With Detroit DT12 transmissions Detroit Assurance® Safety Systems including: • Active Brake Assist 5 • Adaptive cruise control to 0 kms with adj headway • Side guard assist (OPT) • Lane departure warning • Automatic wipers/headlamps • Intelligent high beam control • Brake hold • Electronic stability control • Anti-lock braking system • Detroit Connect and Virtual Technician platform hardware • Detroit Connect Safety Event Viewer package • Pre-Trip Inspection feature for exterior lamps • Alarm for door open, park brake not set
OPT	With manual transmissions all of the above except: • Standard adaptive cruise control • No brake hold • Optional lane departure warning • Optional side guard assist

> **DRIVER INFORMATION MODULE**

STD	Premium instrument cluster with 125 mm TFT colour display
OPT	Digital dash displays with 300 mm centre panel cluster and 250 mm B-panel infotainment display

> **DRIVERS SEATS**

STD	ISRI high back air suspension seat with integrated 3 point seat belt
OPT	Rolltek Gen 2 air bag integrated into std ISRI seat ISRI Premium 2.0 high back air suspension seat with swivel base and non-integrated seat belts

> **PASSENGER SEATS**

STD	Sears tool box high back non suspension seat
OPT	ISRI high back air suspension seat with integrated 3 point seat belt ISRI Premium 2.0 high back air suspension seat with swivel base and non-integrated seat belts Battery box mid back non suspension seat

> **WHEELS**

STD	Steel disc 10 stud
OPT	Aluminium disc 10 stud Standard, polished or Dura-Bright wheel finish available on Aluminium wheels

> **FUEL/HYDRAULIC & COMBINATION TANKS**

STD	Round 635 mm diameter 302 L to 567 L* Square (LCS) 735 mm x 700 mm 320 L to 775 L *Various split/Combos available
-----	---

> **PAINT**

STD	Single colour cab and single colour chassis
OPT	Up to 4 colours. Base coat/Clearcoat solid colour, metallic or pearl

**STAR ASSIST™**

No matter where you are, we can get you going – 24 hour road assistance.

**1800 247 WSTAR**  
**1800 247 97827**